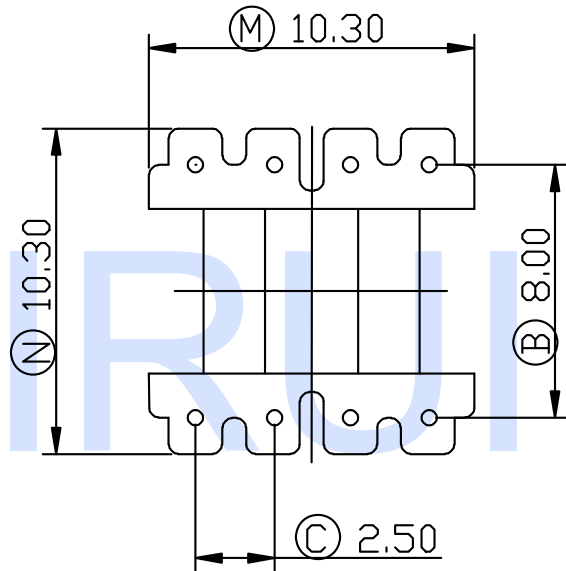
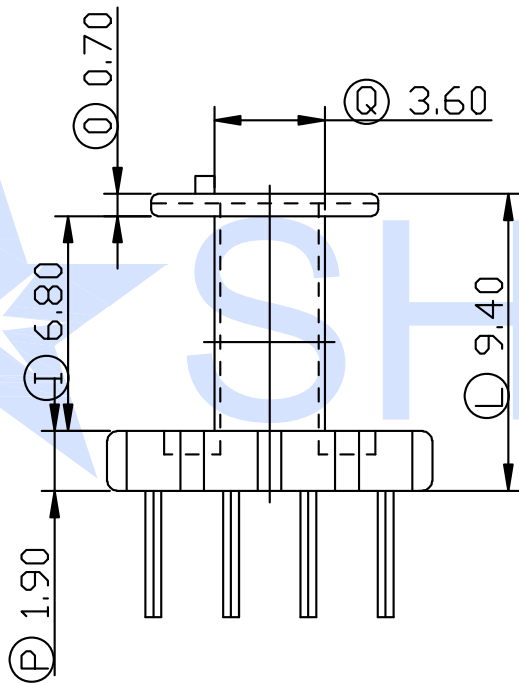
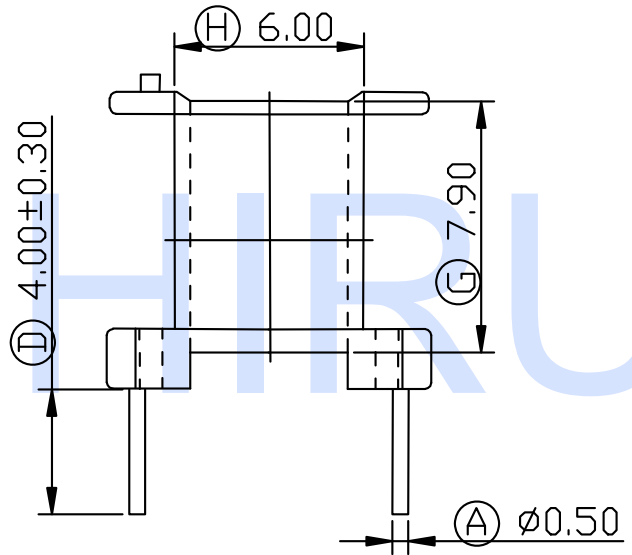
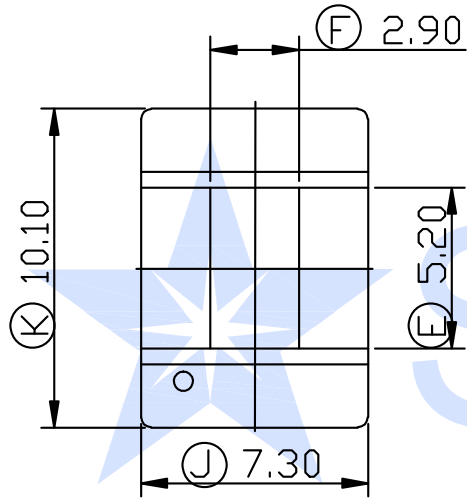


P/N

SR-EE 1003



**Hefei Shirui Electronic Technology Co.,Ltd**

TEL:(0086) 55165232650

sales@shiruitech.com

www.shiruitech.com

SR NO. <b>SR-EE 1003</b>	MATERIAL: T375HF	UNIT: mm TOLERANCE 0 L 4 ±0.10 4 L 16 ±0.20 16 L 64 ±0.30 PIN PITCH ±0.05	DRN.	WILL H
	UL REC: UL 94V-0		CHD.	IRINA LEE
MODEL NAME: <b>EE10-4+4P-1S V</b>	ANGLE: ±°  SCALE 1:1		ISSD.	JAMES HU